

TRIUMPH



Tyre Selector

Information

Warning

Use the recommended tyres ONLY in the combinations given. Do not mix tyres from different manufacturers as this may result in loss of motorcycle control and an accident.

| MODEL | MODEL YEAR | MANUFACTURER | FRONT TYRE | SPECIFICATION | SIZE | PRESSURE | REAR TYRE | SPECIFICATION | SIZE | PRESSURE |
|------------------------------------|------------|---|--|---------------------------------------|--|--------------------------------------|---|--|--|--------------------------------------|
| ✓ TIGER SPORT (FROM VIN 570059) | 2013 ON | PIRELLI METZELER DUNLOP MICHELIN | ANGEL ST ROADTEC 28 INTERACT ROADSMART PILOT ROAD 3 | A STANDARD STANDARD STANDARD | 120/70/ZR17 58 W 120/70/ZR17 58 W 120/70/ZR17 58 W 120/70/ZR17 58 W | 2.34 bar (34 lb/in ²) | ANGEL ST PILOT ROAD 3 ROADSMART PILOT ROAD 3 | STANDARD STANDARD STANDARD STANDARD | 180/55/ZR17 73 W 180/55/ZR17 73 W 180/55/ZR17 73 W 180/55/ZR17 73 W | 2.90 bar (42 lb/in ²) |
| ✗ TIGER SPORT (FROM VIN 570059) | 2013 ON | PIRELLI METZELER DUNLOP MICHELIN | ANGEL ST ROADTEC 28 INTERACT ROADSMART PILOT ROAD 3 | A STANDARD STANDARD STANDARD | 120/70/ZR17 58 W 120/70/ZR17 58 W 120/70/ZR17 58 W 120/70/ZR17 58 W | 2.34 bar (34 lb/in ²) | ANGEL ST PILOT ROAD 3 ROADSMART PILOT ROAD 3 | STANDARD STANDARD STANDARD STANDARD | 180/55/ZR17 73 W 180/55/ZR17 73 W 180/55/ZR17 73 W 180/55/ZR17 73 W | 2.90 bar (42 lb/in ²) |

Warning

The use of off road tyres will result in reduced motorcycle stability. Always operate a motorcycle equipped with off road tyres at reduced speeds. The permissible maximum speed is specified for off road tyres in this publication. Operation of the motorcycle above the permissible maximum speed may result in loss of motorcycle control and an accident.

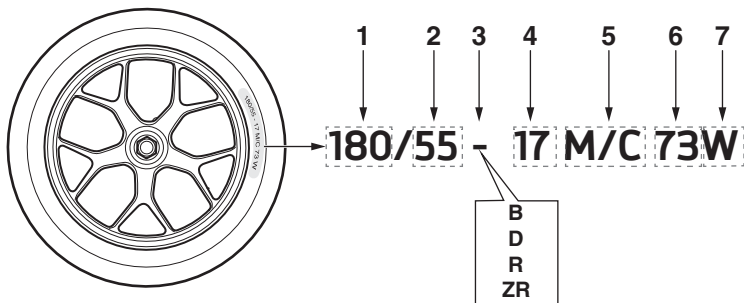
Note:

The tyres listed in this tyre selector are correct at the time of publication for motorcycles in current production only. Tyres for motorcycles no longer in production are listed for information purposes only and were correct only at the time production ceased.

Triumph Motorcycles Limited reserves the right to list an alternative tyre for any motorcycle at any time, but has no such obligation to list alternatives where production of a motorcycle or tyre has ceased. Tyre production for any tyre listed may cease at any time and is beyond Triumph Motorcycles Limited control. Inclusion of a tyre in this tyre selector is not a guarantee of tyre availability.

No liability can be accepted for any inaccuracies or omissions in this publication, although every possible care has been taken to make it as complete and accurate as possible.

Tyre Marking Guide



- Nominal section width (mm).
- Aspect Ratio (Defines the section height as a percentage of width. i.e 180x55% = 99 mm).
- Construction type:
 - B refers to a bias belted construction
 - or D refers to a diagonal ply (historically cross ply)
 - R refers to a radial construction
 - ZR refers to a radial tyre capable of over 149 mph (240 km/h).
- Rim diameter in inches.
- Denotes a motorcycle tyre.
- Load rating.
- Speed rating.

Adventure



Classics



Cruisers



Roadsters



Supersports



Touring



Index

Adventure

Index

| MODEL | MODEL YEAR | MANUFACTURER | FRONT TYRE | SPECIFICATION | SIZE | PRESSURE | REAR TYRE | SPECIFICATION | SIZE | PRESSURE |
|--|--|---|---|--|--|--------------------------------------|--|---|--|--------------------------------------|
| TIGER 855 | 1993 ON 1993 TO 1994 1994 ON 1995 ON | MICHELIN PIRELLI DUNLOP BRIDGESTONE | T66X MT60 TRAILMAX TRAIL WING 101 | | 110/80-19 100/90-19 100/90-19 110/90-19 | 2.07 bar (30 lb/in ²) | T66X MT60 TRAILMAX TRAIL WING 152 | | 140/80-17 140/80-17 140/80-17 140/80-17 | 2.28 bar (33 lb/in ²) |
| TIGER 855 | 1995 ON 1996 ON 1996 ON | PIRELLI METZELER PIRELLI | MT60R ENDURO 4 MT80R | | 110/80-19 110/80-19 110/80-19 | 2.07 bar (30 lb/in ²) | MT80RS ENDURO 4 MT80R | | 140/80-17 140/80-17 140/80-17 | 2.28 bar (33 lb/in ²) |
| TIGER 855i (FROM VIN 71699 UP TO VIN 124105) | 1999 ON | MICHELIN METZELER | T66X ENDURO 4 | | 110/80-19 110/80-19 | 2.48 bar (36 lb/in ²) | T66X ENDURO 4 | | 150/70-17 150/70-17 | 2.90 bar (42 lb/in ²) |
| TIGER 955i (FROM VIN 124106 UP TO VIN 198874) | 2001 TO 2004 2001 TO 2004 2001 TO 2004 2001 TO 2004 | METZELER PIRELLI MICHELIN BRIDGESTONE | TOURANCE MT90 T66X TRAIL WING 101 RADIAL | | 110/80/R19 59 V 110/80-19 110/80-19 110/80-19 | 2.48 bar (36 lb/in ²) | TOURANCE MT90 T66X TRAIL WING 101 RADIAL | | 150/70/R17 69 V 150/70-17 150/70-17 150/70-17 | 2.90 bar (42 lb/in ²) |
| TIGER 955i (FROM VIN 198875 UP TO VIN 287503) | 2004 ON 2004 ON | MICHELIN BRIDGESTONE | ANAKEE RADIAL TRAIL WING 101 RADIAL | | 110/80/R19 59 V 110/80/R19 59 V | 2.48 bar (36 lb/in ²) | ANAKEE RADIAL TRAIL WING 152 RADIAL | | 150/70-17 150/70-17 | 2.90 bar (42 lb/in ²) |
| TIGER 1050 CC INCLUDING ABS (FROM VIN 287504 UP TO VIN 570058) | 2007 TO 2013 2008 TO 2013 | MICHELIN BRIDGESTONE | PILOT ROAD S BATTLAX BT-021 | STANDARD L | 120/70/ZR17 58 W 120/70/ZR17 58 W | 2.34 bar (34 lb/in ²) | PILOT ROAD S BATTLAX BT-021 | STANDARD L | 180/55/ZR17 73 W 180/55/ZR17 73 W | 2.90 bar (42 lb/in ²) |
| TIGER 800 *FRONT TYRE SIZE 110/80/R19 M/C 59 V MAY BE USED IN MARKETS WHERE THE RECOMMENDED SIZE (100/90-19 M/C 57 V) IS NOT AVAILABLE. | 2011 ON | PIRELLI *PIRELLI METZELER *METZELER MICHELIN *MICHELIN | SCORPION TRAIL *SCORPION TRAIL TOURANCE EXP *TOURANCE EXP ANAKEE 3 *ANAKEE 3 | STANDARD STANDARD STANDARD STANDARD STANDARD STANDARD | 100/90-19 57 V *110/80/R19 59 V 100/90-19 57 H *110/80/R19 59 V 100/90-19 57 V *110/80/R19 59 V | 2.48 bar (36 lb/in ²) | SCORPION TRAIL SCORPION TRAIL TOURANCE EXP TOURANCE EXP ANAKEE 3 ANAKEE 3 | G G N STANDARD STANDARD STANDARD | 150/70/R17 69 V 150/70/R17 69 V 150/70/R17 69 V 150/70/R17 69 V 150/70/R17 69 V 150/70/R17 69 V | 2.90 bar (42 lb/in ²) |
| TIGER 800XC | 2011 ON | PIRELLI BRIDGESTONE MICHELIN | SCORPION TRAIL BATTLE WING BW-501 ANAKEE 3 | STANDARD G STANDARD | 90/90-21 54 V 90/90-21 54 V 90/90-21 54 V | 2.48 bar (36 lb/in ²) | SCORPION TRAIL BATTLE WING BW-502 ANAKEE 3 | STANDARD STANDARD STANDARD | 150/70/R17 69 V 150/70/R17 69 V 150/70/R17 69 V | 2.90 bar (42 lb/in ²) |
| TIGER 800XC DUAL PURPOSE TYRES (APPROVED BY TRIUMPH FOR OFF ROAD AND ON ROAD USE IN SOME COUNTRIES ONLY). THE PERMISSABLE MAXIMUM SPEED FOR DUAL PURPOSE TYRES IS 60 MPH (96 KM/H). | 2011 ON | METZELER | MCE KAROO 2(T) | STANDARD | 90/90-21 54 Q | 1.50 bar (22 lb/in ²) | MCE KAROO (T) | STANDARD | 150/70/R17 69 Q | 1.50 bar (22 lb/in ²) |

Continued...

Adventure (continued)

Index

| MODEL | MODEL YEAR | MANUFACTURER | FRONT TYRE | SPECIFICATION | SIZE | PRESSURE | REAR TYRE | SPECIFICATION | SIZE | PRESSURE |
|--|------------|--|--|--|--|--------------------------------------|--|--|--|--------------------------------------|
| TIGER XR, TIGER XRt, TIGER XRx **TYRES RECOMMENDED AND APPROVED FOR USE WITH EXPEDITION ALUMINIUM LUGGAGE SYSTEM. | 2015 ON | **METZELER PIRELLI | **TOURANCE NEXT SCORPION TRAIL | **STANDARD STANDARD | 100/90-19 57 V 100/90-19 57 V | 2.48 bar (36 lb/in ²) | **TOURANCE NEXT SCORPION TRAIL | **STANDARD STANDARD | 150/70/R17 69 V 150/70/R17 69 V | 2.90 bar (42 lb/in ²) |
| TIGER XC, TIGER XCa, TIGER XCx | 2015 ON | BRIDGESTONE PIRELLI MICHELIN | BATTLE WING BW-501 SCORPION TRAIL ANAKEE 3 | G STANDARD STANDARD | 90/90-21 54 V 90/90-21 54 V 90/90-21 54 V | 2.48 bar (36 lb/in ²) | BATTLE WING BW-502 SCORPION TRAIL ANAKEE 3 | G STANDARD STANDARD | 150/70/R17 69 V 150/70/R17 69 V 150/70/R17 69 V | 2.90 bar (42 lb/in ²) |
| TIGER XC, TIGER XCa, TIGER XCx DUAL PURPOSE TYRES (APPROVED BY TRIUMPH FOR OFF ROAD AND ON ROAD USE IN SOME COUNTRIES ONLY). THE PERMISSABLE MAXIMUM SPEED FOR DUAL PURPOSE TYRES IS 60 MPH (96 KM/H). | 2015 ON | METZELER | KAROO 3 | STANDARD | 90/90-21 54 R | 2.48 bar (36 lb/in ²) | KAROO 3 | STANDARD | 150/70/R17 69 R | 2.90 bar (42 lb/in ²) |
| TIGER EXPLORER AND TIGER EXPLORER XC (UP TO VIN 740276) | 2012 ON | METZELER PIRELLI BRIDGESTONE | TOURANCE EXP SCORPION TRAIL BATTLE WING BW-501 | STANDARD STANDARD STANDARD | 110/80/R19 59 V 110/80/R19 59 V 110/80/R19 59 V | 2.48 bar (36 lb/in ²) | TOURANCE EXP SCORPION TRAIL BATTLE WING BW-502 | STANDARD STANDARD STANDARD | 150/70/R17 69 V 150/70/R17 69 V 150/70/R17 69 V | 2.90 bar (42 lb/in ²) |
| TIGER EXPLORER XC AND TIGER EXPLORER XR - ALL MODELS (FROM VIN 740277) | 2016 ON | METZELER CONTINENTAL MICHELIN | TOURANCE NEXT TRAIL ATTACK 2 ANAKEE 3 | E STANDARD STANDARD | 120/70/R19 60V 120/70/R19 60V 120/70/R19 60V | 2.20 bar (32 lb/in ²) | TOURANCE NEXT TRAIL ATTACK 2 ANAKEE 3 | E STANDARD STANDARD | 170/60/R17 72V 170/60/R17 72V 170/60/R17 72V | 2.69 bar (39 lb/in ²) |
| TIGER EXPLORER XC AND TIGER EXPLORER XR - ALL MODELS (FROM VIN 740277) DUAL PURPOSE TYRES (APPROVED BY TRIUMPH FOR OFF ROAD AND ON ROAD USE IN SOME COUNTRIES ONLY). THE PERMISSABLE MAXIMUM SPEED FOR DUAL PURPOSE TYRES IS 60 MPH (96 KM/H). | 2016 ON | METZELER | KAROO 3 | STANDARD | 120/70/R19 60T | 2.20 bar (32 lb/in ²) | KAROO 3 | STANDARD | 170/60/R17 72T | 2.69 bar (39 lb/in ²) |
| TIGER SPORT (FROM VIN 570059 TO 741390) | 2013 ON | PIRELLI PIRELLI METZELER DUNLOP MICHELIN | ANGEL ST ANGEL GT ROADTEC Z8 INTERACT ROADSMART PILOT ROAD 3 | A A STANDARD STANDARD STANDARD | 120/70/ZR17 58 W 120/70/ZR17 58 W 120/70/ZR17 58 W 120/70/ZR17 58 W 120/70/ZR17 58 W | 2.34 bar (34 lb/in ²) | ANGEL ST ANGEL GT ROADTEC Z8 INTERACT ROADSMART PILOT ROAD 3 | STANDARD STANDARD STANDARD STANDARD STANDARD | 180/55/ZR17 73 W 180/55/ZR17 73 W 180/55/ZR17 73 W 180/55/ZR17 73 W 180/55/ZR17 73 W | 2.90 bar (42 lb/in ²) |
| TIGER SPORT (FROM VIN 750470) | 2016 ON | PIRELLI PIRELLI PIRELLI DUNLOP | ANGEL ST ANGEL GT SCORPION TRAIL 2 ROADSMART | A A STANDARD STANDARD | 120/70/ZR17 58 W 120/70/ZR17 58 W 120/70/ZR17 58 W 120/70/ZR17 58 W | 2.34 bar (34 lb/in ²) | ANGEL ST ANGEL GT SCORPION TRAIL 2 ROADSMART | STANDARD STANDARD STANDARD STANDARD | 180/55/ZR17 73 W 180/55/ZR17 73 W 180/55/ZR17 73 W 180/55/ZR17 73 W | 2.90 bar (42 lb/in ²) |

Back

Classics

Index

| MODEL | MODEL YEAR | MANUFACTURER | FRONT TYRE | SPECIFICATION | SIZE | PRESSURE | REAR TYRE | SPECIFICATION | SIZE | PRESSURE |
|--|---|---|---|---------------|---|--------------------------------------|---|---------------|---|--------------------------------------|
| THUNDERBIRD | 1995 TO 1998 1995 ON 1995 TO 1998 1999 ON 1999 ON | MICHELIN AVON DUNLOP MICHELIN PIRELLI | A89X AV27 K105F MACADAM 90X MTR03 | | 110/80/ZR18 110/80-18 58 H 110/80-18 110/80-18 110/80/ZR18 58 W | 2.48 bar (36 lb/in ²) | M89X ELAN II RL30 K700J MACADAM 90X MTR04 | | 160/80/ZR16 160/80-16 75 H 150/80-16 150/80-16 150/80/ZR16 71 W | 2.90 bar (42 lb/in ²) |
| ADVENTURER (UP TO VIN 71698) | 1996 TO 1998 | AVON MICHELIN DUNLOP | AV27 A89X K105F | | 110/80-18 110/80-18 110/80-18 | 2.48 bar (36 lb/in ²) | ELAN II RL30 M89X K700J | | 160/80-16 160/80-16 160/80-16 | 2.90 bar (42 lb/in ²) |
| ADVENTURER (FROM VIN 71699) | 1999 ON | MICHELIN METZELER | MACADAM 50 ME 33 | | 100/90-19 100/90-19 | 2.48 bar (36 lb/in ²) | MACADAM 50 ME Z2 | | 150/80-16 150/80-16 | 2.90 bar (42 lb/in ²) |
| THUNDERBIRD SPORT | 1998 TO 1999 1998 TO 1999 2000 ON 2000 ON | AVON PIRELLI PIRELLI METZELER | AV27 DRAGON GT MTR23 ME Z4B | | 120/70/R17 120/70/R17 120/70-17 120/70-17 | 2.48 bar (36 lb/in ²) | AV281 DRAGON GT MTR24 ME Z4 | | 160/70/R17 160/70/R17 160/70-17 160/70-17 | 2.90 bar (42 lb/in ²) |
| LEGEND TT | 1999 ON | BRIDGESTONE MICHELIN MICHELIN | BT57 M90X MACADAM | | 120/70-17 120/70-17 120/70-17 | 2.48 bar (36 lb/in ²) | BT57 M90X MACADAM | | 160/60-17 160/60-17 160/60-17 | 2.90 bar (42 lb/in ²) |
| BONNEVILLE (CARBURETTOR MODELS) | 2001 ON | BRIDGESTONE METZELER | BT45 F ME 33 LASER | | 100/90-19 100/90-19 | 2.27 bar (33 lb/in ²) | BT45 R ME Z2 | | 130/80-17 130/80/R17 | 2.62 bar (38 lb/in ²) |
| BONNEVILLE T100 (CARBURETTOR MODELS) | 2001 ON | METZELER | ME 33 LASER | | 100/90-19 | 2.27 bar (33 lb/in ²) | ME Z2 | | 130/80/R17 | 2.62 bar (38 lb/in ²) |
| SCRAMBLER (CARBURETTOR MODELS) | 2006 ON | BRIDGESTONE | TW 101 | | 100/90-19 | 2.07 bar (30 lb/in ²) | TW 42 | | 130/80-17 | 2.34 bar (34 lb/in ²) |
| THRUXTON (CARBURETTOR MODELS) | 2005 ON | METZELER | LASERTEC | | 100/90-18 | 2.27 bar (33 lb/in ²) | ME Z2 | | 130/80/R17 | 2.62 bar (38 lb/in ²) |
| BONNEVILLE (EFI MODELS) | 2008 TO 2009 | METZELER | LASERTEC | | 100/90-19 | 2.27 bar (33 lb/in ²) | ME Z2 | | 130/80/R17 | 2.83 bar (41 lb/in ²) |
| BONNEVILLE (EFI MODELS) | 2009 ON | METZELER | ME Z4 | STANDARD | 110/70/R17 54 H | 2.27 bar (33 lb/in ²) | ME Z2 | STANDARD | 130/80/R17 65 H | 2.83 bar (41 lb/in ²) |
| BONNEVILLE T100 (EFI MODELS) INCLUDING STEVE MCQUEEN™ EDITION AND BONNEVILLE 110 TH EDITION | 2008 ON | METZELER | LASERTEC | STANDARD | 100/90-19 57 H | 2.27 bar (33 lb/in ²) | ME Z2 | STANDARD | 130/80/R17 65 H | 2.83 bar (41 lb/in ²) |
| SCRAMBLER (EFI MODELS) | 2008 ON | BRIDGESTONE | TRAIL WING TW-101 | STANDARD | 100/90-19 57 H | 2.07 bar (30 lb/in ²) | TRAIL WING TW-42 | STANDARD | 130/80-17 65 H | 2.83 bar (41 lb/in ²) |
| THRUXTON (EFI MODELS) | 2008 ON | METZELER | LASERTEC STANDARD | STANDARD | 100/90-18 56 H | 2.20 bar (32 lb/in ²) | ME Z2 | STANDARD | 130/80/R17 65 H | 2.83 bar (41 lb/in ²) |

Continued...

Classics (continued)

Index

| MODEL | MODEL YEAR | MANUFACTURER | FRONT TYRE | SPECIFICATION | SIZE | PRESSURE | REAR TYRE | SPECIFICATION | SIZE | PRESSURE |
|-----------------|------------|--------------------------------|---|---------------------------|--|--------------------------------------|---|----------------------------------|--|--------------------------------------|
| STREET TWIN | 2016 ON | PIRELLI | PHANTOM SPORTSCOMP | STANDARD | 100/90-18 56 H | 2.20 bar (32 lb/in ²) | PHANTOM SPORTSCOMP | STANDARD | 150/70 R17 69 H 150/70 R17 69 V | 2.48 bar (36 lb/in ²) |
| BONNEVILLE T120 | 2016 ON | PIRELLI AVON | PHANTOM SPORTSCOMP STORM 3D X-M | STANDARD STANDARD | 100/90-18 56 H 100/90 R18 56 V | 2.20 bar (32 lb/in ²) | PHANTOM SPORTSCOMP STORM 3D X-M | STANDARD STANDARD | 150/70 R17 69 H 150/70 R17 69 V | 2.48 bar (36 lb/in ²) |
| THRUXTON | 2016 ON | PIRELLI PIRELLI METZELER | ANGEL GT DIABLO ROSSO CORSA RACETEC RR K3 | A STANDARD STANDARD | 120/70 ZR17 58 W 120/70 ZR17 58 W 120/70 ZR17 58 W | 2.48 bar (36 lb/in ²) | ANGEL GT DIABLO ROSSO CORSA RACETEC RR K3 | STANDARD STANDARD STANDARD | 160/60 ZR17 69 W 160/60 ZR17 69 W 160/60 ZR17 69 W | 2.48 bar (36 lb/in ²) |
| THRUXTON R | 2016 ON | PIRELLI PIRELLI METZELER | DIABLO ROSSO CORSA ANGEL GT RACETEC RR K3 | STANDARD A STANDARD | 120/70 ZR17 58 W 120/70 ZR17 58 W 120/70 ZR17 58 W | 2.48 bar (36 lb/in ²) | DIABLO ROSSO CORSA ANGEL GT RACETEC RR K3 | STANDARD STANDARD STANDARD | 160/60 ZR17 69 W 160/60 ZR17 69 W 160/60 ZR17 69 W | 2.48 bar (36 lb/in ²) |

[Back](#)

Cruisers

Index

| MODEL | MODEL YEAR | MANUFACTURER | FRONT TYRE | SPECIFICATION | SIZE | PRESSURE | REAR TYRE | SPECIFICATION | SIZE | PRESSURE |
|--|--------------|-------------------------|-----------------------------------|----------------------|------------------------------------|---|-----------------------------------|----------------------|------------------------------------|---|
| AMERICA (CARBURETTOR MODELS) | 2002 ON | BRIDGESTONE METZELER | L303 LAZERTEC | | 3.50-18 110/80-18 | SOLO - 2.06 bar (30 lb/in ²) LADEN - 2.13 bar (31 lb/in ²) | G456 ME880 | | 170/80-15 170/80/B15 | SOLO - 2.13 bar (31 lb/in ²) LADEN - 2.50 bar (36 lb/in ²) |
| SPEEDMASTER 790 CC (CARBURETTOR MODELS) | 2003 ON | METZELER | LAZERTEC | | 110/80-18 | SOLO - 2.06 bar (30 lb/in ²) LADEN - 2.13 bar (31 lb/in ²) | ME880 | | 170/80/B15 | SOLO - 2.13 bar (31 lb/in ²) LADEN - 2.50 bar (36 lb/in ²) |
| SPEEDMASTER 865 CC (CARBURETTOR MODELS) | 2004 TO 2008 | METZELER | LASERTEC | | 110/90-18 | SOLO - 2.06 bar (30 lb/in ²) LADEN - 2.13 bar (31 lb/in ²) | ME880 | | 170/80/B15 | SOLO - 2.13 bar (31 lb/in ²) LADEN - 2.50 bar (36 lb/in ²) |
| AMERICA (EFI MODELS) | 2008 TO 2011 | METZELER | LASERTEC | STANDARD | 110/90-18 61 H | 2.48 bar (36 lb/in ²) | ME880 MARATHON | STANDARD | 170/80-15 77 H | 2.90 bar (42 lb/in ²) |
| AMERICA (EFI MODELS) | 2011 ON | METZELER | ME880 MARATHON | STANDARD | 130/90-16 67 H | 2.06 bar (30 lb/in ²) | ME880 MARATHON | STANDARD | 170/80/B15 77 H | 2.90 bar (42 lb/in ²) |
| SPEEDMASTER (EFI MODELS) | 2008 TO 2011 | METZELER | LASERTEC | STANDARD | 110/80-18 61 H | 2.48 bar (36 lb/in ²) | ME880 MARATHON | STANDARD | 170/80-15 77 H | 2.90 bar (42 lb/in ²) |
| SPEEDMASTER (EFI MODELS) | 2011 ON | METZELER | ME880 MARATHON | STANDARD | 100/90-19 57 H | 2.48 bar (36 lb/in ²) | ME880 MARATHON | STANDARD | 170/80/B15 77 H | 2.90 bar (42 lb/in ²) |
| ROCKET III | 2005 TO 2010 | METZELER | ME880 MARATHON | STANDARD | 150/80/R17 72 V | 2.48 bar (36 lb/in ²) | ME880 MARATHON | STANDARD | 240/50/R16 77 V | 2.90 bar (42 lb/in ²) |
| ROCKET III TOURING | 2008 ON | METZELER | ME880 MARATHON | STANDARD | 150/80/R16 71 V | 2.48 bar (36 lb/in ²) | ME880 MARATHON | STANDARD | 180/70/R16 V | 2.90 bar (42 lb/in ²) |
| ROCKET III ROADSTER | 2010 ON | METZELER | ME880 MARATHON | STANDARD | 150/80/R17 72 V | 2.34 bar (34 lb/in ²) | ME880 MARATHON | STANDARD | 240/50/R16 84 V | 2.90 bar (42 lb/in ²) |
| THUNDERBIRD AND THUNDERBIRD STORM / NIGHT STORM | 2009 ON | METZELER DUNLOP | ME880 MARATHON SPORTMAX D208 | STANDARD STANDARD | 120/70/R19 60 W 120/70/R19 60 W | 2.48 bar (36 lb/in ²) | ME880 MARATHON SPORTMAX D208 | STANDARD STANDARD | 200/50/R17 75 W 200/50/R17 75 W | 2.62 bar (38 lb/in ²) |
| THUNDERBIRD COMMANDER | 2014 ON | METZELER | ME880 MARATHON | STANDARD | 140/75/R17 67 W | 2.48 bar (36 lb/in ²) | ME880 MARATHON | STANDARD | 200/50/R17 75 W | 2.62 bar (38 lb/in ²) |
| THUNDERBIRD LT | 2014 ON | AVON METZELER | COBRA WHITEWALL ME880 MARATHON | STANDARD STANDARD | 150/80/R16 71 H 150/80/R16 71 H | 2.48 bar (36 lb/in ²) 2.68 bar (39 lb/in ²) | COBRA WHITEWALL ME880 MARATHON | STANDARD STANDARD | 180/70/R16 77 H 180/70/R16 77 H | 3.00 bar (44 lb/in ²) 2.90 bar (42 lb/in ²) |

Roadsters

Index

| MODEL | MODEL YEAR | MANUFACTURER | FRONT TYRE | SPECIFICATION | SIZE | PRESSURE | REAR TYRE | SPECIFICATION | SIZE | PRESSURE |
|--|---|---|--|--|--|--------------------------------------|--|--|--|--------------------------------------|
| SPEED TRIPLE 900 CC | 1994 ON 1994 ON 1994 TO 1995 1995 ON 1996 1994 TO 1996 1994 TO 1996 1994 TO 1996 1994 TO 1996 | MICHELIN BRIDGESTONE MICHELIN DUNLOP MICHELIN PIRELLI METZELER PIRELLI METZELER | TX11 BT50F TX11 D203 SPORTMAX TX15 MTR01 CORSA ME Z12 MTR01 ME Z1 | | 120/70-17 120/70-17 120/70-17 120/70-17 120/70-17 120/70-17 120/70-17 120/70-17 120/70-17 | 2.20 bar (32 lb/in ²) | TX23A BT50 RADIAL G TX23B D203 SPORTMAX TX25 MTR02 CORSA ME Z1R MTR02 ME Z1 | | 180/55-17 180/55-17 180/55-17 180/55-17 180/55-17 180/55-17 180/55-17 180/55-17 180/55-17 | 2.62 bar (38 lb/in ²) |
| SPEED TRIPLE 750 CC | 1996 TO 1997 | MICHELIN PIRELLI | 90X MTR03 DRAGON GT | | 120/70-17 120/70-17 | 2.20 bar (32 lb/in ²) | 90X MTR04 DRAGON GT | | 160/60-18 160/60-18 | 2.62 bar (38 lb/in ²) |
| TRIDENT 750 CC AND 900 CC | 1991 TO 1995 1991 ON 1991 ON 1993 ON | DUNLOP MICHELIN PIRELLI BRIDGESTONE MICHELIN | K455F A59X MTR03 DRAGON GT BT50F 90X | | 120/70-17 120/70-17 120/70-17 120/70-17 120/70-17 | 2.48 bar (36 lb/in ²) | K455A M59X MTR04 DRAGON GT BT50R 90X | | 160/80-18 160/80-18 160/80-18 160/80-18 160/80-18 | 2.83 bar (41 lb/in ²) |
| SPEED TRIPLE 885 CC AND 955 CC (UP TO VIN 141871) | 1997 ON | BRIDGESTONE MICHELIN METZELER | BT56 TX15 HI SPORT RCG | | 120/70-17 120/70-17 120/70-17 | 2.20 bar (32 lb/in ²) | BT56 TX25 HI SPORT RCG | | 190/50-17 190/50-17 190/50-17 | 2.90 bar (42 lb/in ²) |
| SPEED TRIPLE 955 CC (FROM VIN 141872 UP TO VIN 210444) | 2002 ON | BRIDGESTONE PIRELLI METZELER | BT010 DRAGON EVO ME Z3 | | 120/70-17 120/70-17 120/70-17 | 2.20 bar (32 lb/in ²) | BT010 DRAGON EVO ME23 | | 190/50-17 190/50-17 190/50-17 | 2.90 bar (42 lb/in ²) |
| SPEED FOUR | 2002 ON | BRIDGESTONE MICHELIN PIRELLI | BT010 PILOT SPORT DRAGON EVO | | 120/70/R17 120/70/R17 120/70/R17 | 2.34 bar (34 lb/in ²) | BT010 PILOT SPORT DRAGON EVO | | 180/55/R17 180/55/R17 180/55/R17 | 2.62 bar (38 lb/in ²) |
| SPEED TRIPLE 1050 CC (FROM VIN 210445 UP TO VIN 332110) | 2005 TO 2009 | MICHELIN BRIDGESTONE | PILOT POWER BT14 | | 120/70/ZR17 120/70/ZR17 | 2.34 bar (34 lb/in ²) | PILOT POWER BT14 | | 180/55/ZR17 180/55/ZR17 | 2.90 bar (42 lb/in ²) |
| SPEED TRIPLE 1050 CC (FROM VIN 332110 UP TO VIN 461331) | 2009 TO 2011 | METZELER DUNLOP BRIDGESTONE BRIDGESTONE | SPORTEC M3 SPORTMAX QUALIFIER BATTLAX BT-015 BATTLAX BT-016 | C STANDARD G STANDARD | 120/70/ZR17 58 W 120/70/ZR17 58 W 120/70/ZR17 58 W 120/70/ZR17 58 W | 2.34 bar (34 lb/in ²) | SPORTEC M3 SPORTMAX QUALIFIER BATTLAX BT-015 BATTLAX BT-016 | STANDARD STANDARD E STANDARD | 180/55/ZR17 73 W 180/55/ZR17 73 W 180/55/ZR17 73 W 180/55/ZR17 73 W | 2.90 bar (42 lb/in ²) |
| SPEED TRIPLE 1050 CC (FROM VIN 461332 UP TO VIN 733009) | 2011 ON | METZELER BRIDGESTONE BRIDGESTONE PIRELLI MICHELIN MICHELIN | RACETEC INTERACT K3 BATTLAX BT-003 RACING STREET BATTLAX BT-016 DIABLO ROSSO CORSA POWER PURE PILOT ROAD 2 | STANDARD STANDARD STANDARD STANDARD STANDARD STANDARD | 120/70/ZR17 58 W 120/70/ZR17 58 W 120/70/ZR17 58 W 120/70/ZR17 58 W 120/70/ZR17 58 W 120/70/ZR17 58 W | 2.34 bar (34 lb/in ²) | RACETEC INTERACT K3 BATTLAX BT-003 RACING STREET BATTLAX BT-016 DIABLO ROSSO CORSA POWER PURE PILOT ROAD 2 | STANDARD STANDARD STANDARD STANDARD STANDARD STANDARD | 190/55/ZR17 75 W 190/55/ZR17 75 W 190/55/ZR17 75 W 190/55/ZR17 75 W 190/55/ZR17 75 W 190/55/ZR17 75 W | 2.90 bar (42 lb/in ²) |
| SPEED TRIPLE R 1050 CC (UP TO VIN 733009) | 2012 ON 2012 ON 2012 ON 2013 ON | METZELER BRIDGESTONE MICHELIN PIRELLI PIRELLI | RACETEC INTERACT K3 BATTLAX BT-016 PILOT ROAD 2 RACETEC INTERACT K3 DIABLO SUPERCORSA SP | STANDARD STANDARD STANDARD STANDARD STANDARD | 120/70/ZR17 58 W 120/70/ZR17 58 W 120/70/ZR17 58 W 120/70/ZR17 58 W 120/70/ZR17 58 W | 2.34 bar (34 lb/in ²) | RACETEC INTERACT K3 BATTLAX BT-016 PILOT ROAD 2 RACETEC INTERACT K3 DIABLO SUPERCORSA SP | STANDARD STANDARD STANDARD STANDARD STANDARD | 190/55/ZR17 75 W 190/55/ZR17 75 W 190/55/ZR17 75 W 190/55/ZR17 75 W 190/55/ZR17 75 W | 2.90 bar (42 lb/in ²) |
| SPEED TRIPLE S AND SPEED TRIPLE R (FROM VIN 735337) | 2016 ON | PIRELLI PIRELLI METZELER MICHELIN | DIABLO SUPERCORSA SP DIABLO ROSSO CORSA SPORTEC M7 RR PILOT ROAD 3 | STANDARD STANDARD M STANDARD | 120/70/ZR17 58 W 120/70/ZR17 58 W 120/70/ZR17 58 W 120/70/ZR17 58 W | 2.34 bar (34 lb/in ²) | DIABLO SUPERCORSA SP DIABLO ROSSO CORSA SPORTEC M7 RR PILOT ROAD 3 | STANDARD STANDARD STANDARD STANDARD | 190/55/ZR17 75 W 190/55/ZR17 75 W 190/55/ZR17 75 W 190/55/ZR17 75 W | 2.90 bar (42 lb/in ²) |

Continued...

Roadsters (continued)

Index

| MODEL | MODEL YEAR | MANUFACTURER | FRONT TYRE | SPECIFICATION | SIZE | PRESSURE | REAR TYRE | SPECIFICATION | SIZE | PRESSURE |
|--|--|--|--|--|--|--------------------------------------|--|--|--|--------------------------------------|
| STREET TRIPLE (UP TO VIN 459241) | 2007 TO 2009 2007 TO 2009 2007 TO 2009 | BRIDGESTONE BRIDGESTONE DUNLOP | BATTLAX BT-016 BATTLAX BT-015 SPORTMAX QUALIFIER | STANDARD G STANDARD | 120/70/ZR17 58 W 120/70/ZR17 58 W 120/70/ZR17 58 W | 2.34 bar (34 lb/in ²) | BATTLAX BT-016 BATTLAX BT-015 SPORTMAX QUALIFIER | STANDARD E STANDARD | 180/55/ZR17 73 W 180/55/ZR17 73 W 180/55/ZR17 73 W | 2.90 bar (42 lb/in ²) |
| STREET TRIPLE (FROM VIN 459241 UP TO VIN 560476) | 2012 TO 2013 2010 TO 2013 2010 TO 2013 2012 TO 2013 | BRIDGESTONE PIRELLI METZELER DUNLOP | BATTLAX BT-016 DIABLO ROSSO CORSA SPORTEC M3 SPORTMAX QUALIFIER | STANDARD K C STANDARD | 120/70/ZR17 58 W 120/70/ZR17 58 W 120/70/ZR17 58 W 120/70/ZR17 58 W | 2.34 bar (34 lb/in ²) | BATTLAX BT-016 DIABLO ROSSO CORSA SPORTEC M3 SPORTMAX QUALIFIER | STANDARD STANDARD STANDARD STANDARD | 180/55/ZR17 73 W 180/55/ZR17 73 W 180/55/ZR17 73 W 180/55/ZR17 73 W | 2.90 bar (42 lb/in ²) |
| STREET TRIPLE R (UP TO VIN 452037) | 2007 TO 2009 | DUNLOP | SPORTMAX QUALIFIER | STANDARD | 120/70/ZR17 58 W | 2.34 bar (34 lb/in ²) | DUNLOP | STANDARD | 180/55/ZR17 73 W | 2.90 bar (42 lb/in ²) |
| STREET TRIPLE R (FROM VIN 452037 UP TO VIN 560477) | 2009 TO 2013 2012 TO 2013 2012 TO 2013 2012 TO 2013 | DUNLOP PIRELLI BRIDGESTONE PIRELLI | SPORTMAX QUALIFIER DIABLO ROSSO CORSA BATTLAX BT-016 DRAGON SUPERCORSA PRO | STANDARD STANDARD STANDARD STANDARD | 120/70/ZR17 58 W 120/70/ZR17 58 W 120/70/ZR17 58 W 120/70/ZR17 58 W | 2.34 bar (34 lb/in ²) | SPORTMAX QUALIFIER DIABLO ROSSO CORSA BATTLAX BT-016 DRAGON SUPERCORSA PRO | STANDARD STANDARD STANDARD STANDARD | 180/55/ZR17 73 W 180/55/ZR17 73 W 180/55/ZR17 73 W 180/55/ZR17 73 W | 2.90 bar (42 lb/in ²) |
| STREET TRIPLE AND STREET TRIPLE R (FROM VIN 560477) STREET TRIPLE Rx | 2013 ON | PIRELLI METZELER DUNLOP BRIDGESTONE | DIABLO ROSSO CORSA SPORTEC M5 INTERACT SPORTMAX QUALIFIER II BATTLAX BT-016 PRO | STANDARD STANDARD STANDARD STANDARD | 120/70/ZR17 58 W 120/70/ZR17 58 W 120/70/ZR17 58 W 120/70/ZR17 58 W | 2.34 bar (34 lb/in ²) | DIABLO ROSSO CORSA SPORTEC M5 INTERACT SPORTMAX QUALIFIER II BATTLAX BT-016 PRO | STANDARD STANDARD STANDARD STANDARD | 180/55/ZR17 73 W 180/55/ZR17 73 W 180/55/ZR17 73 W 180/55/ZR17 73 W | 2.90 bar (42 lb/in ²) |

[Back...](#)

Supersports

Index

| MODEL | MODEL YEAR | MANUFACTURER | FRONT TYRE | SPECIFICATION | SIZE | PRESSURE | REAR TYRE | SPECIFICATION | SIZE | PRESSURE |
|--|--|--|---|--|--|-------------------------|--|--|--|-------------------------|
| DAYTONA 750 AND DAYTONA 1000 | 1991 TO 1992 | MICHELIN DUNLOP | TX11 K455F | | 120/70-17 120/70-17 | 2.48 bar (36 lb/in²) | TX23 K455A | | 160/60-18 160/60-18 | 2.83 bar (41 lb/in²) |
| DAYTONA 900 AND DAYTONA 1200 | 1993 1994 ON 1993 1994 1994 TO 1995 1994 TO 1995 1995 ON 1995 1995 1995 1996 ON 1996 ON | BRIDGESTONE BRIDGESTONE DUNLOP MICHELIN MICHELIN DUNLOP MICHELIN PIRELLI PIRELLI METZELER MICHELIN METZELER | BT50F BT50F K455FG TX11 TX11 D364 TX11A MTR01 MTR01 CORSA ME Z1F TX15 ME Z1R | | 120/70-17 120/70-17 120/70-17 120/70-17 120/70-17 120/70-17 120/70-17 120/70-17 120/70-17 120/70-17 120/70-17 120/70-17 | 2.48 bar (36 lb/in²) | BT50R BT50R RADIAL G K455A TX23A TX23B D364 TX23A MTR02 MTR02 CORSA ME Z1 TX25 ME Z1R | | 160/60-18 180/55-17 160/60-18 180/55-17 180/55-17 180/55-17 180/55-17 180/55-17 180/55-17 180/55-17 180/55-17 180/55-17 | 2.83 bar (41 lb/in²) |
| SUPER III | 1994 TO 1995 1994 ON 1994 ON 1994 TO 1995 1995 1995 ON 1995 1996 1996 | DUNLOP BRIDGESTONE MICHELIN MICHELIN PIRELLI PIRELLI METZELER MICHELIN METZELER | D364 BT50F TX11 TX11 MTR01 MTR01 CORSA ME Z1F TX15 ME Z1R | | 120/70-17 120/70-17 120/70-17 120/70-17 120/70-17 120/70-17 120/70-17 120/70-17 120/70-17 | 2.48 bar (36 lb/in²) | D364 BT50 RADIAL G TX23A TX23B MTR02 MTR02 CORSA ME Z1 TX25 ME Z1R | | 180/55-17 180/55-17 180/55-17 180/55-17 180/55-17 180/55-17 180/55-17 180/55-17 180/55-17 | 2.83 bar (41 lb/in²) |
| DAYTONA 955i (UP TO VIN 132512) | 1997 ON | BRIDGESTONE MICHELIN METZELER MICHELIN PIRELLI | BT56 TX15 HI SPORT RCG TX15 MTR01 CORSA | | 120/70-17 120/70-17 120/70-17 120/70-17 120/70-17 | 2.48 bar (36 lb/in²) | BT56 TX25 HI SPORT RCG TX25 MTR02 CORSA | | 190/50-17 190/50-17 190/50-17 190/50-17 190/50-17 | 2.90 bar (42 lb/in²) |
| DAYTONA 955i - DOUBLE SIDED SWINGING ARM (FROM VIN 132513) | 2001 ON | BRIDGESTONE MICHELIN PIRELLI METZELER | BT010 PILOT SPORT DRAGON EVO ME Z3 | | 120/70-17 120/70-17 120/70-17 120/70-17 | 2.20 bar (32 lb/in²) | BT010 PILOT SPORT DRAGON EVO ME Z3 | | 180/55-17 180/55-17 180/55-17 180/55-17 | 2.62 bar (38 lb/in²) |
| DAYTONA 955i - SINGLE SIDED SWINGING ARM (FROM VIN 132513) | 2002 ON | BRIDGESTONE PIRELLI METZELER | BT010 DRAGON EVO ME23 | | 120/70-17 120/70-17 120/70-17 | 2.48 bar (36 lb/in²) | BT010 DRAGON EVO ME23 | | 190/50-17 190/50-17 190/50-17 | 2.90 bar (42 lb/in²) |
| TT600 | 2000 ON | BRIDGESTONE MICHELIN PIRELLI | BT010 PILOT SPORT DRAGON EVO | | 120/70/R17 120/70/R17 120/70/R17 | 2.34 bar (34 lb/in²) | BT010 PILOT SPORT DRAGON EVO | | 180/55/R17 180/55/R17 180/55/R17 | 2.62 bar (38 lb/in²) |
| DAYTONA 600 AND 650 | 2004 ON | PIRELLI BRIDGESTONE METZELER MICHELIN | DIABLO T BT012 SPORTEC M1 PILOT SPORT | | 120/70/ZR17 58 W 120/70/R17 120/70/R17 120/70/ZR17 | 2.34 bar (34 lb/in²) | DIABLO T BT012 SPORTEC M1 PILOT SPORT | | 180/55/ZR17 73 W 180/55/R17 180/55/R17 180/55/ZR17 | 2.62 bar (38 lb/in²) |
| DAYTONA 675 (UP TO VIN 381274) | 2006 TO 2009 | PIRELLI MICHELIN BRIDGESTONE | DRAGON SUPERCORSA PRO PILOT POWER B BT014 G | | 120/70/ZR17 120/70/ZR17 120/70/ZR17 | 2.34 bar (34 lb/in²) | DRAGON SUPERCORSA PRO PILOT POWER B BT014 G | | 180/55/ZR17 180/55/ZR17 180/55/ZR17 | 2.48 bar (36 lb/in²) |
| DAYTONA 675 AND DAYTONA 675R (FROM VIN 381275 UP TO 564947) | 2009 TO 2013 | PIRELLI DUNLOP METZELER | DIABLO SUPERCORSA SP SPORTMAX QUALIFIER SPORTEC M3 | STANDARD STANDARD C | 120/70/ZR17 58 W 120/70/ZR17 58 W 120/70/ZR17 58 W | 2.34 bar (34 lb/in²) | DIABLO SUPERCORSA SP SPORTMAX QUALIFIER SPORTEC M3 | STANDARD STANDARD STANDARD | 180/55/ZR17 73 W 180/55/ZR17 73 W 180/55/ZR17 73 W | 2.48 bar (36 lb/in²) |
| DAYTONA 675 AND DAYTONA 675R (FROM VIN 564948) | 2013 ON | PIRELLI METZELER PIRELLI BRIDGESTONE | DIABLO SUPERCORSA SP RACETEC INTERACT K3 DIABLO ROSSO CORSA BATTLAX BT-016 PRO | STANDARD STANDARD STANDARD STANDARD | 120/70/ZR17 58 W 120/70/ZR17 58 W 120/70/ZR17 58 W 120/70/ZR17 58 W | 2.34 bar (34 lb/in²) | DIABLO SUPERCORSA SP RACETEC INTERACT K3 DIABLO ROSSO CORSA BATTLAX BT-016 PRO | STANDARD STANDARD STANDARD STANDARD | 180/55/ZR17 73 W 180/55/ZR17 73 W 180/55/ZR17 73 W 180/55/ZR17 73 W | 2.48 bar (36 lb/in²) |

Touring

Index

| MODEL | MODEL YEAR | MANUFACTURER | FRONT TYRE | SPECIFICATION | SIZE | PRESSURE | REAR TYRE | SPECIFICATION | SIZE | PRESSURE |
|---|--|---|---|---------------------------------------|--|--------------------------------------|---|--------------------------------|--|--------------------------------------|
| SPRINT, SPRINT SPORT AND SPRINT EXECUTIVE | 1993 TO 1994 1993 TO 1994 1993 TO 1994 1993 TO 1994 1993 TO 1994 1995 TO 1998 1995 TO 1998 1995 TO 1998 1995 1996 TO 1998 1996 TO 1998 1996 TO 1998 | BRIDGESTONE DUNLOP MICHELIN PIRELLI MICHELIN DUNLOP BRIDGESTONE PIRELLI METZELER BRIDGESTONE METZELER MICHELIN | BT50F K455FG A59X MTR03 DRAGON GT 90X D202J BT54F MTR03 ME Z1F BT57F ME Z2 MACADAM 90X | | 120/70-17 120/70-17 120/70-17 120/70/ZR17 120/70-17 120/70-17 120/70-17 120/70-17 120/70-17 120/70-17 120/70-17 120/70-17 | 2.48 bar (36 lb/in ²) | BT50R K455A M59X MTR04 DRAGON GT 90X D202G BT54R MTR04 ME Z2 BT57R ME Z2 MACADAM 90X | | 160/80-18 160/80-18 160/80-18 170/60/ZR17 160/80-18 170/60-17 170/60-17 170/60-17 170/60-17 170/60-17 170/60-17 170/60-17 | 2.83 bar (41 lb/in ²) |
| TROPHY 900 AND 1200 | 1991 TO 1993 1991 TO 1992 1991 TO 1993 1993 1994 TO 1995 1994 1995 ON 1995 ON 1995 ON 1996 | DUNLOP METZELER MICHELIN BRIDGESTONE DUNLOP MICHELIN BRIDGESTONE PIRELLI METZELER MICHELIN | K455A ME1 MBS A59X BT50F D202J A89X BT54F MTR03 DRAGON GT ME Z1F MACADAM 90X | | 120/70-17 120/70-17 120/70-17 120/70-17 120/70-17 120/70-17 120/70-17 120/70/ZR17 120/70-17 120/70-17 | 2.48 bar (36 lb/in ²) | K455A ME1 MBS M59X BT50R D202G A89X BT54R MTR04 DRAGON GT ME Z2 MACADAM 90X | | 160/60-18 160/60-18 160/60-18 160/60-18 170/60-17 170/60-17 170/60-17 170/60/ZR17 170/60-17 170/60-17 | 2.83 bar (41 lb/in ²) |
| SPRINT ST (UP TO VIN 139276) | 1999 TO 2001 | BRIDGESTONE MICHELIN | BT57G 90X | | 120/70-17 120/70-17 | 2.48 bar (36 lb/in ²) | BT57G 90X | | 180/55-17 180/55-17 | 2.83 bar (41 lb/in ²) |
| SPRINT RS (FROM VIN 139277) | 2000 TO 2001 | BRIDGESTONE MICHELIN BRIDGESTONE | BT020 90X BT57G | | 120/70-17 120/70-17 120/70-17 | 2.48 bar (36 lb/in ²) | BT020 90X BT57G | | 180/55-17 180/55-17 180/55-17 | 2.83 bar (41 lb/in ²) |
| SPRINT ST 955 CC (FROM VIN 139277 UP TO VIN 208166) | 2002 ON | BRIDGESTONE BRIDGESTONE MICHELIN | BT57G BT010 100X | | 120/70-17 120/70-17 120/70-17 | 2.48 bar (36 lb/in ²) | BT57G BT010 100X | | 180/55-17 180/55-17 180/55-17 | 2.90 bar (42 lb/in ²) |
| SPRINT RS 955 CC (UP TO VIN 139277) | 2002 TO 2003 2002 ON 2002 ON 2002 ON | BRIDGESTONE BRIDGESTONE MICHELIN BRIDGESTONE | BT020 BT010 100X BT57G | | 120/70-17 120/70-17 120/70-17 120/70-17 | 2.48 bar (36 lb/in ²) | BT020 BT010 100X BT57G | | 180/55-17 180/55-17 180/55-17 180/55-17 | 2.90 bar (42 lb/in ²) |
| SPRINT ST 1050 CC (UP TO VIN 139276) | 2005 TO 2011 | BRIDGESTONE BRIDGESTONE METZELER | BATTLAX BT-020 BATTLAX BT-020 ROADTEC Z6 INTERACT | STANDARD NN STANDARD | 120/70/ZR17 58 W 120/70/ZR17 58 W 120/70/ZR17 58 W | 2.48 bar (36 lb/in ²) | BATTLAX BT-020 BATTLAX BT-020 ROADTEC Z6 INTERACT | STANDARD NN C | 180/55/ZR17 73 W 180/55/ZR17 73 W 180/55/ZR17 73 W | 2.90 bar (42 lb/in ²) |
| SPRINT GT 1050 CC | 2011 ON | BRIDGESTONE PIRELLI DUNLOP MICHELIN | BATTLAX BT-021 ANGEL ST SPORTMAX ROADSMART PILOT ROAD 2 | FBZ A STANDARD D | 120/70/ZR17 58 W 120/70/ZR17 58 W 120/70/ZR17 58 W 120/70/ZR17 58 W | 2.48 bar (36 lb/in ²) | BATTLAX BT-021 ANGEL ST SPORTMAX ROADSMART PILOT ROAD 2 | STANDARD E STANDARD B | 180/55/ZR17 73 W 180/55/ZR17 73 W 180/55/ZR17 73 W 180/55/ZR17 73 W | 2.90 bar (42 lb/in ²) |
| SPRINT ST 1050 CC (FROM VIN 139277) | 2011 ON | BRIDGESTONE PIRELLI DUNLOP BRIDGESTONE | BATTLAX BT-021 ANGEL ST SPORTMAX ROADSMART BATTLAX BT-020 | FBZ A STANDARD STANDARD | 120/70/ZR17 58 W 120/70/ZR17 58 W 120/70/ZR17 58 W 120/70/ZR17 58 W | 2.48 bar (36 lb/in ²) | BATTLAX BT-021 ANGEL ST SPORTMAX ROADSMART BATTLAX BT-020 | FBZ E STANDARD U | 180/55/ZR17 73 W 180/55/ZR17 73 W 180/55/ZR17 73 W 180/55/ZR17 73 W | 2.90 bar (42 lb/in ²) |
| TROPHY AND TROPHY SE 1215 CC (FROM VIN 561284) | 2013 ON | PIRELLI METZELER DUNLOP DUNLOP | ANGEL ST ROADTEC Z8 INTERACT SPORTMAX ROADSMART SPORTMAX ROADSMART II | A STANDARD STANDARD STANDARD | 120/70/ZR17 58 W 120/70/ZR17 58 W 120/70/ZR17 58 W 120/70/ZR17 58 W | 2.48 bar (36 lb/in ²) | ANGEL ST ROADTEC Z8 INTERACT SPORTMAX ROADSMART SPORTMAX ROADSMART II | STANDARD C K STANDARD | 190/55/ZR17 75 W 190/55/ZR17 75 W 190/55/ZR17 75 W 190/55/ZR17 75 W | 2.90 bar (42 lb/in ²) |